



**NICOLAIDES & KOUNTOURIS  
METAL COMPANY LTD**



# NKFENCE®

## Metal Fence Panel



Funded by  
the European Union  
NextGenerationEU



RESEARCH  
& INNOVATION  
FOUNDATION

### INNOVATION

The project (FTI/0325/0034) was funded by the **Research and Innovation Foundation**, under the «**FAST TRACK INNOVATION**» Programme and through the **Recovery and Resilience Facility** of the **NextGenerationEU** instrument.

### GENERAL DESCRIPTION

NKFENCE is one of the most economical fencing solutions on the market, combining durability, functionality, aesthetics, and ease of installation. It is a modern metal fence panel, designed for use in all types of projects, such as:

- residential
- commercial
- industrial
- agricultural and other applications

### PRODUCT DESCRIPTION

#### Material

Manufactured from pre-painted galvanized steel sheet, 0.45–0.50 mm thick, with double-sided coating for enhanced corrosion and weather resistance.

Available colours:

- White (RAL 9010)
- Anthracite (RAL 7016)
- Other colours upon availability

#### Perforations

The panels incorporate specially formed perforations that:

- reduce the overall weight
- allow natural ventilation
- enhance the overall functionality of the fencing

#### Stiffening ribs

The specially designed stiffening ribs:

- increase mechanical strength
- provide added rigidity
- improve the overall structural stability of the panel



### INSTRUCTIONS & IMPORTANT INFORMATION

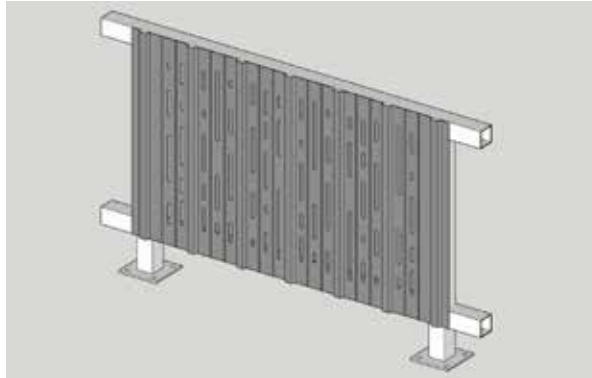
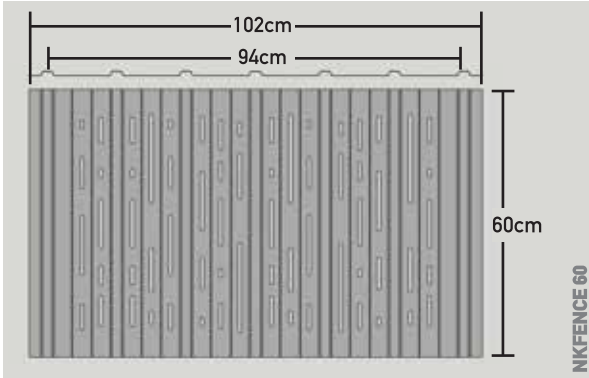
- The metal supporting frame is not included in the price of the fencing panels.
- The support drawings provided are indicative.
- The use of suitable, commercially available fixing screws is recommended
- The company can supply custom finishing accessories, in the same colour as the fencing panels, based on the customer's or installer's requirements, including:
  - Metal angles
  - Flashings for corner details
  - Wall connection elements
  - Metal "U"-type profile designed for double-fencing panel installations, when fencing panels are mounted on both sides of the metal frame.
- Please note that the product is made from pre-painted galvanized steel sheet and not aluminium. Therefore, during installation, care should be taken to clean any burrs or residues created during the screwing process to preserve the surface finish.

## PRODUCT TYPES



### NKFENCE 60

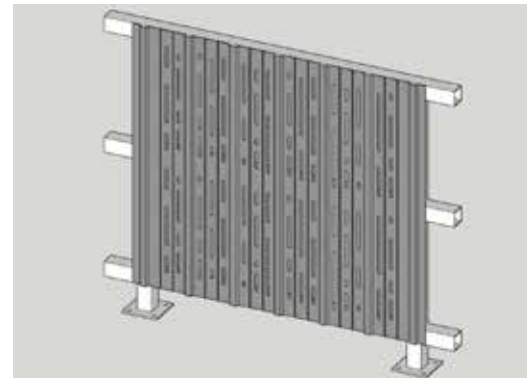
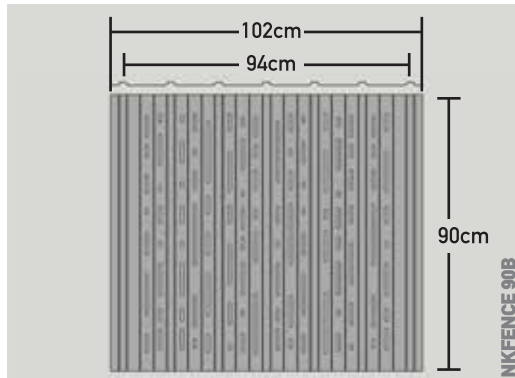
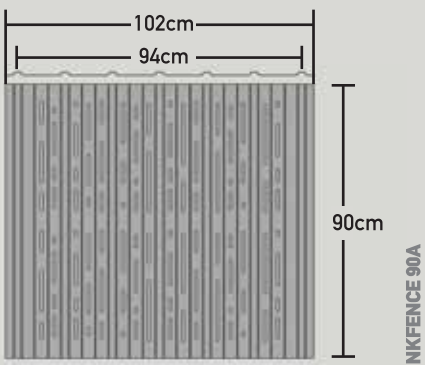
Panel height: 60 cm



### NKFENCE 90A & NKFENCE 90B

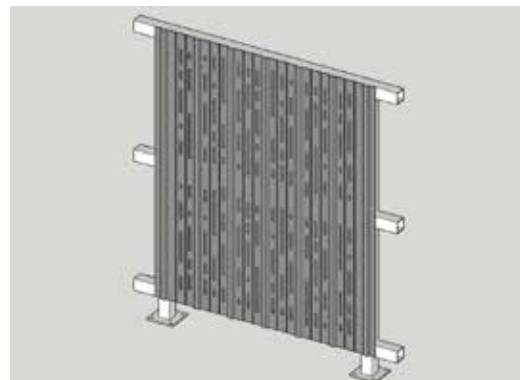
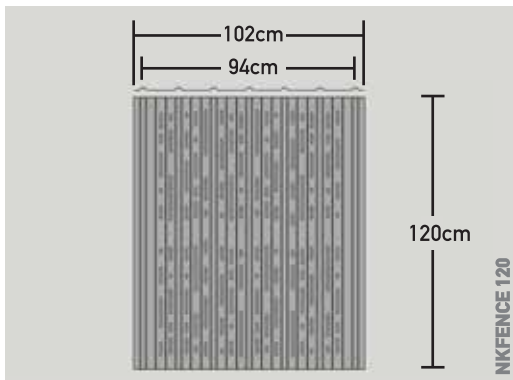
Panel height: 90 cm

The two profiles differ in design. As shown in the drawing below, the NKFENCE 90A model includes a distinctive central gap, enabling the centrally positioned support to be concealed on the back side of the panel.



### NKFENCE 120

Panel height: 120 cm



**NICOLAIDES & KOUNTOURIS  
METAL COMPANY LTD**

Industrial Area of Geri  
P.O. Box 12665, 2251 Nicosia - Cyprus  
T: +357 22 482 000  
F: +357 22 485 380  
E: nkm@cytanet.com.cy



EN 1090



ISO 9001



ISO 45001



ISO 14001



[www.nkmetal.com.cy](http://www.nkmetal.com.cy)

Since 1977

